

Monitor mounts

Aluminum

SPECIFICATION

Type

Type **A**: with connecting stud

Aluminum

- Connection plate blank, ground **BL**
- Connection stud blank, turned

Countersunk screws DIN 7991

Stainless Steel AISI 304

INFORMATION

Monitor mounts GN 197 have a hole pattern according to the VESA standard. The connecting studs can be combined with diverse components within the tube clamp connector program in order to realize a wide range of fastening variants, degrees of freedom and adjusting options.

ON REQUEST

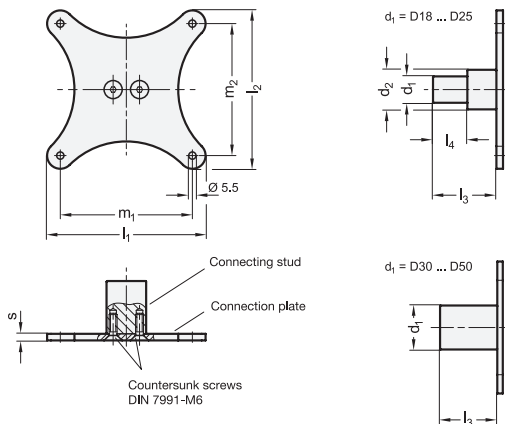
- with additional VESA hole patterns

TECHNICAL INFORMATION

- Stainless Steel characteristics (see page A26)

APPLICATION EXAMPLES

Depending on the requirements, monitor mounts GN 197 can be expanded with tube clamp connectors and construction tubes GN 990 (see page 1603) to create complete solutions for wall or floor mounting. It is also easy to affix other accessories nearby, such as keyboards or hand scanners.



GN 197

Description	d1	m1	m2	d2	l1	l2	l3	l4	s	⚖️
GN 197-D18-75-75-A-BL	D 18	75	75	30	95	95	46	24	5	158
GN 197-D18-100-100-A-BL	D 18	100	100	30	120	120	46	24	5	200
GN 197-D20-75-75-A-BL	D 20	75	75	30	95	95	48	26	5	166
GN 197-D20-100-100-A-BL	D 20	100	100	30	120	120	48	26	5	204
GN 197-D25-75-75-A-BL	D 25	75	75	30	95	95	54	32	5	188
GN 197-D25-100-100-A-BL	D 25	100	100	30	120	120	54	32	5	224
GN 197-D30-75-75-A-BL	D 30	75	75	-	95	95	40	-	5	180
GN 197-D30-100-100-A-BL	D 30	100	100	-	120	120	40	-	5	222
GN 197-D40-75-75-A-BL	D 40	75	75	-	95	95	52	-	5	282
GN 197-D40-100-100-A-BL	D 40	100	100	-	120	120	52	-	5	322
GN 197-D50-75-75-A-BL	D 50	75	75	-	95	95	65	-	5	426
GN 197-D50-100-100-A-BL	D 50	100	100	-	120	120	65	-	5	467